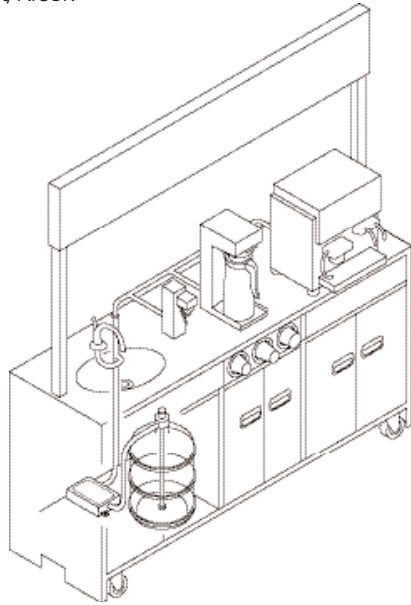
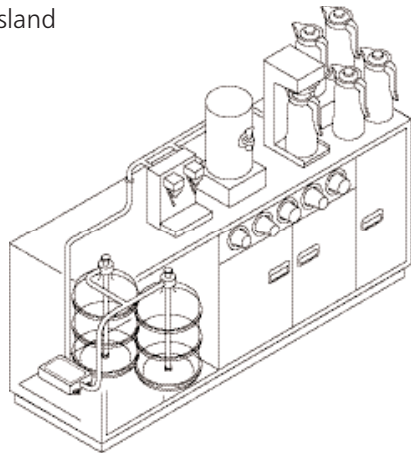


## TYPICAL INSTALLATION

Coffee Cart/Kiosk



Beverage Island



## SPECIFICATIONS

Voltage	115 & 230 Volts AC, 12 Volt DC
Cycle	50/60 Hz. for AC models
Current	
12 Volt	3.0 Amps. Max.
115 Volt	0.5 Amps. Max.
230 Volt	0.25 Amps. Max.
Maximum Flow	1.0 GPM (3.8 l/min.)
Maximum Pressure	40 PSI (2.8 bar)
Weight	5.6 Net Lbs. (2.5 kg), Shipping 8.5 Lbs. (3.9 kg)

## DIMENSIONS

3.0" H x 5.5" W x 7.5" D (76 x 140 x 190 mm) – Control box

## MODEL NUMBERS

Standard Models (Includes 20 feet of 1/4" tube)  
 BW 1000-A 115 VAC 6 foot cord with plug  
 BW 2000-A 230 VAC 6 foot cord stripped  
 BW 3000-A 12 VDC 12 inch lead wires

## SPECIAL FEATURES

- Float switch for automatic shut-off when bottle is empty.
- Built-in check valve to prevent back flow.
- Universal seal cap fits most water containers.
- Compact size for easy mounting.
- 20' discharge hose included.
- Easily installed.

**Flojet**



For further information, contact your FLOJET representative, or write to:

FLOJET  
 20 Icon • Foothill Ranch, CA  
 92610  
 Tel: 1-949-859-4945  
 1-800-2-FLOJET  
 Fax: 1-949-859-1153

FLOJET (EUROPE) LTD.  
 Unit 1, Avant Business Centre  
 Denbigh West Industrial Estate  
 Milton Keynes, Bucks, England MK1 1DL  
 Tel: 44-1908-370088  
 Fax: 44-1908-373731