

# MDH

## Installation Requirements



### Power

- Volts: 110 (range of 110-125)
- Watts: 260
- Amp draw: 2
- Receptacle: Nema 5-15



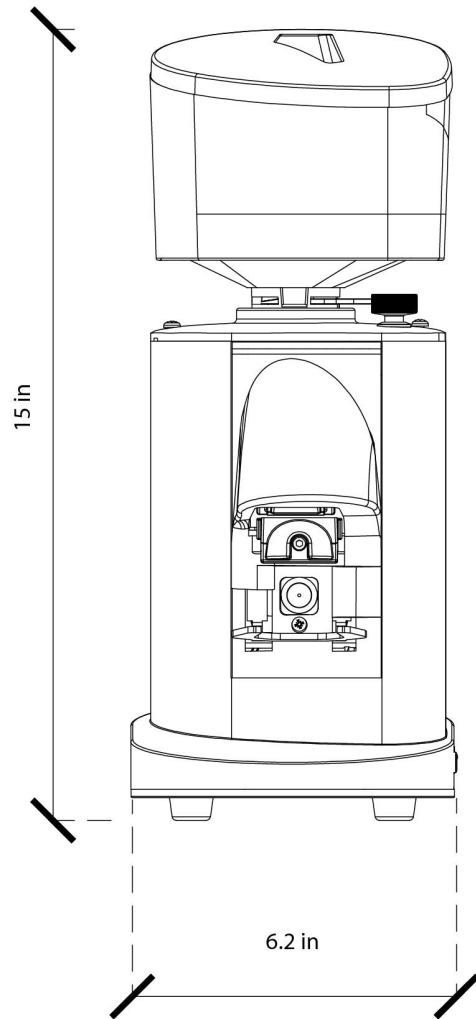
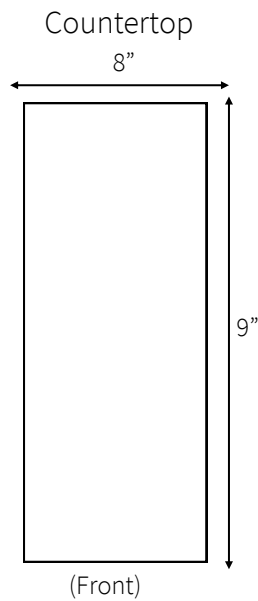
Nema 5-15  
(receptacle)

### Counter Space

- Height: 16 inches
- Depth: 9 inches
- Width: 6 inches
- Weight: 17 pounds

### Shipping Specs

- Height: 20 inches
- Depth: 13 inches
- Width: 10 inches
- Weight: 22 pounds



I, the customer, understand that these requirements must be in when the installer arrives. Failure to have the site ready will result in additional service and travel charges, and may cause further delays in installation.

Customer Name: \_\_\_\_\_ Signature: \_\_\_\_\_

Company Name: \_\_\_\_\_

Phone: \_\_\_\_\_ Email: \_\_\_\_\_