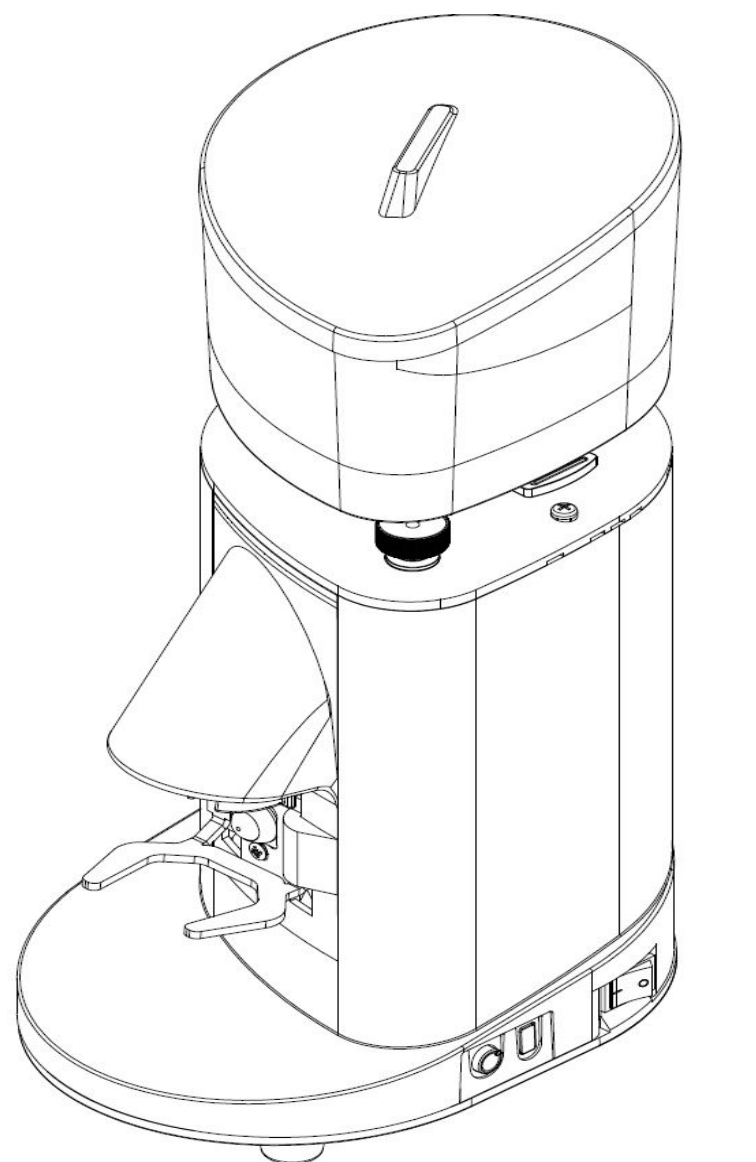


PRODOTTI / RICAMBI
PRODUCTS / SPARE PARTS
PRODUITS / PIÈCES DÉTACHÉES
PRODUKTE / ERSATZTEILE
PRODUCTOS / REPUESTOS

MDH

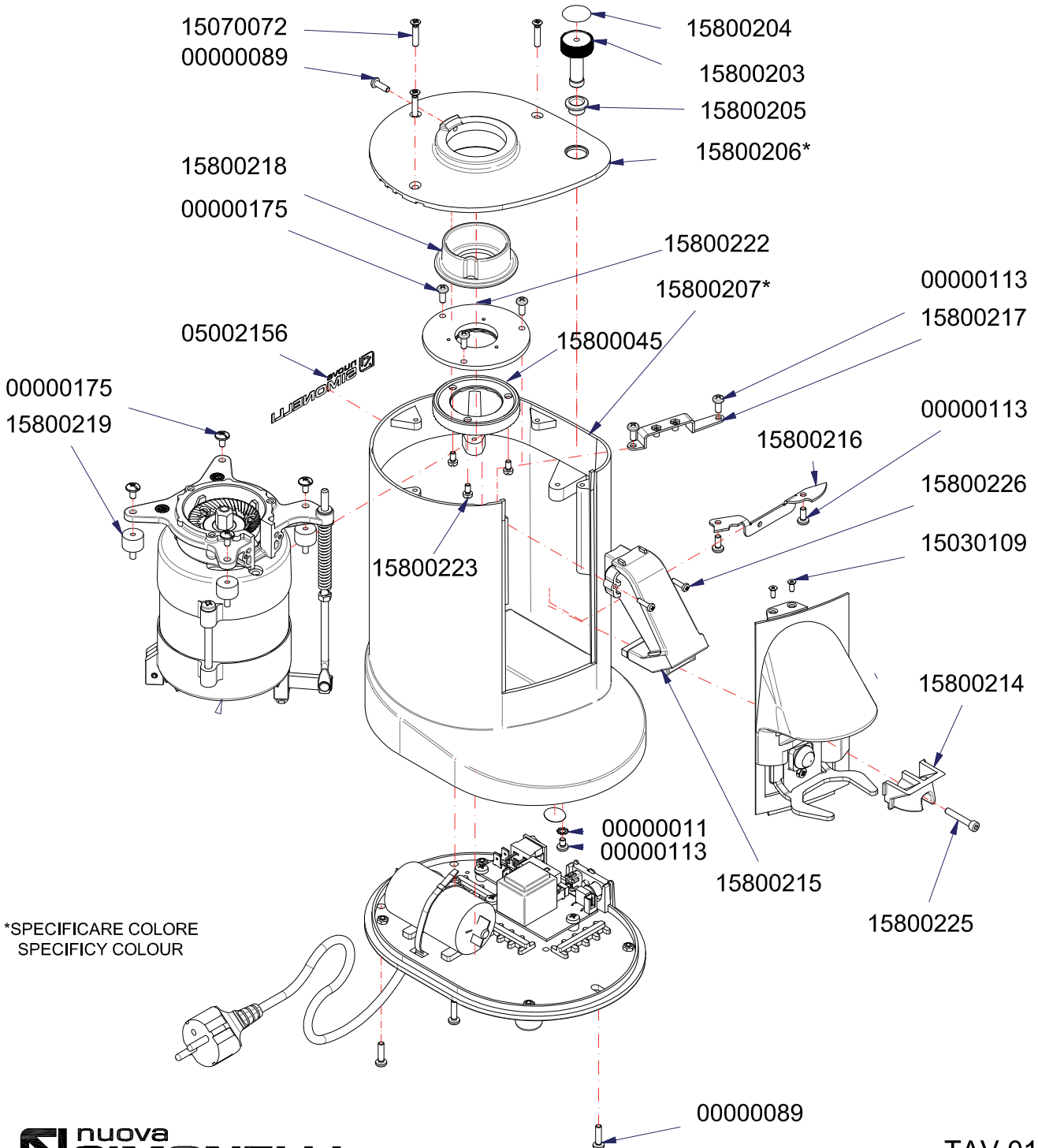
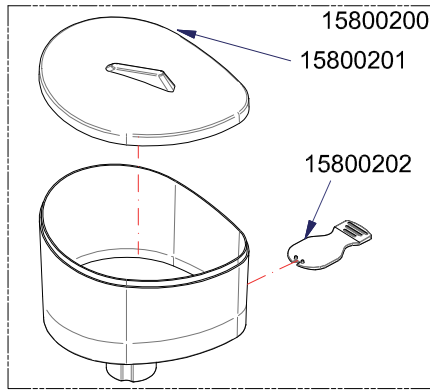
ESPLOSO
11/2018



 nuova
SIMONELLI

MDH

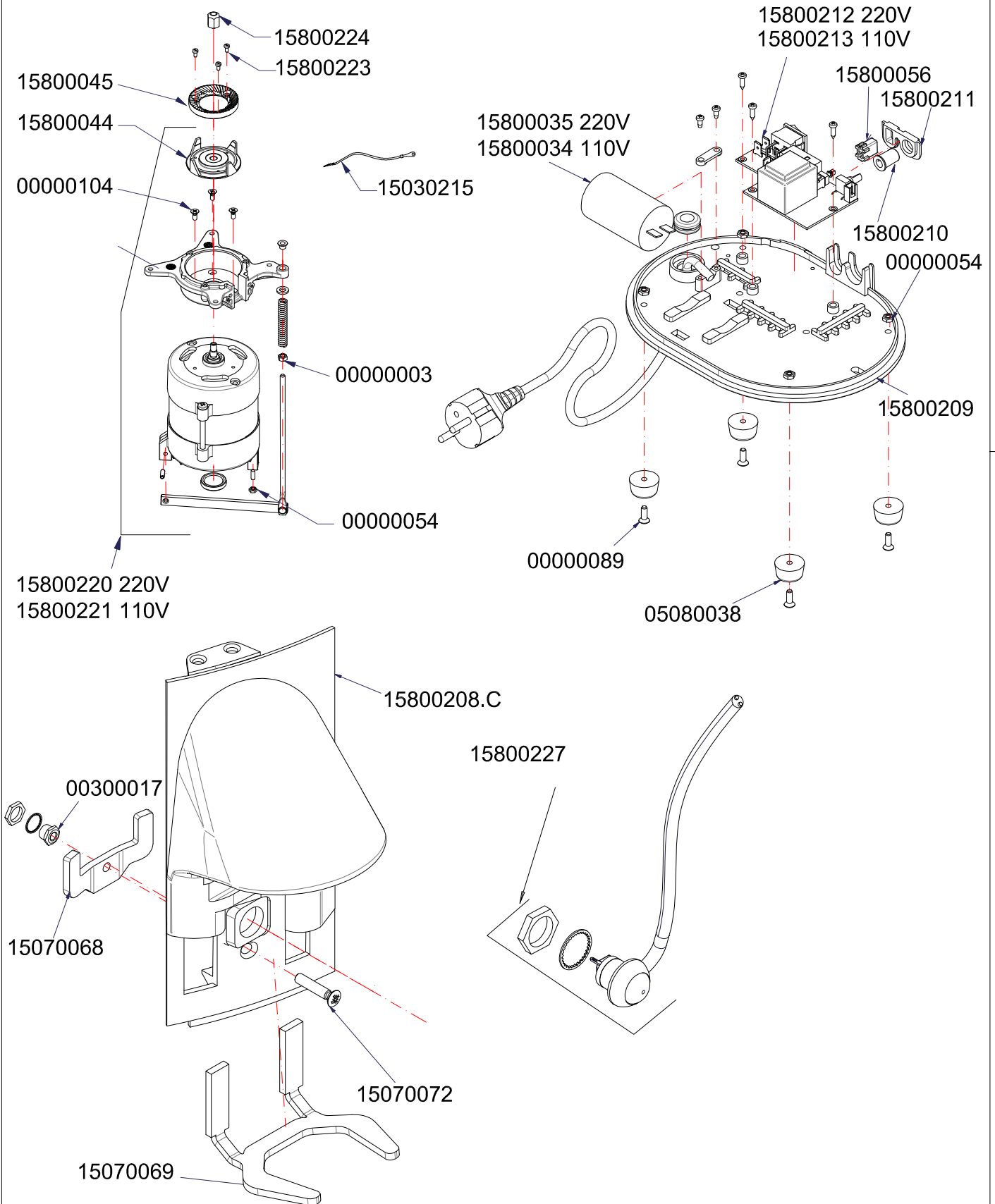
M
D
H



*SPECIFICARE COLORE
SPECIFY COLOUR

MDH

M
D
H



CODICE	DESCRIZIONE	DESCRIPTION	END VALIDITY	
00000003	DADO AQ M5 5588	NUT M5 5588		M
00000011	RONDELLA INOX M4 ZIGRINATA UNI	STAINLESS STEEL KNURLED WASHER D4		
00000054	DADO AQ M4 ALTO ZINCATO	NUT M4 HIGH GALVANISED NUT		D
00000089	VITE INOX M4x12 TC TCR DIN7985	INOX SCREW M4X12 TC TCR DIN7985		
00000110	VITE INOX M4x20 TC T.CR. 7985	SS CROSS-HEAD CAP SCREW M4X20 7985		H
00000113	VITE INOX M4x6 TC T.CR. 7985	SS CROSSHEAD CAP SCREW M4x6		
00000175	VITE INOX M4x10 TC TCR	SS CROSS HEAD CAP SCREW M4X10		
00300017	DADO AUTOBLOC INOX M4 BASSO	SELF-LOCKING STAINLESS STEEL NUT M4 HIGH DIN 982		
05002156	ETICHETTA "NUOVA SIMONELLI"	LABEL "NUOVA SIMONELLI" L=100		
05080038	PIEDINO MACCHINA 21.5xh11 NERO	MACHINE FOOT 21.5xh11 BLACK		
15030109	VITE INOX M3x6 TSP TCR	INOX SCREW M3x6 TSP TCR		
15030215	CAVO OCCHIELLO 4.2 30cm TERRA	GROUND CABLE 4,2 30 cm		
15070068	STAFFA BLOCCAGGIO FORCELLA x	NEW INTERNAL PLATE LOCK FORK ON DEMAND		
15070069	FORCELLA PORTAFILTR.REGOLABILE	NEW CUPHOLDER FORK ON DEMAND		
15800227	KIT MICRO (1000.0009 + CAV73 +	NEW BUTTON BOARD AND WIRINGS ON DEMAND		
15070072	VITE INOX M4x20 TESTA X SVAS.	SS SCEW M4x20 TSB		
15800034	CONDENSATORE MCF 110/60	CAPACITOR MCF 110V		
15800035	CONDENSATORE MCF 220/MON	CAPACITOR MCF 230V		
15800044	PORTAMACINE INF. 50mm 3 FORI	PORTAMACINE INF. 50mm 23100014MCF 3 FORI		
15800045	COPPIA MACINE D50 3 FORI POWER	POWERGRINDER BLADE PAIR D50 3 HOLES		
15800056	PULSANTE SELETTORE T/MT MCI	SELECTOR BOTTON MCI		
15800200	CAMPANA COMPLETA MDH	MDH BELL COMPLETE		
15800201	COPERCHIO CAMPANA MDH	MDH BELL LID		
15800202	LINGUETTA CAMPANA MDH	MDH BELL GATE		
15800203	POMELLO REG. MACINATURA MDH	MDH ADJUSTMENT KNOB		
15800204	ETICHETTA POMELLO MACINATURA	GRINDING KNOB LABEL		
15800205	GUARNIZIONE POMELLO MIGNON	MIGNON KNOB GASKET		
15800206.B	COPERCHIO MDH VERN. BIANCO	MDH WHITE BELL LID		
15800206.NO	COPERCHIO MDH VERN. NERO OPACO	MDH BLACK BELL LID		
15800206.R	COPERCHIO MDH VERN. ROSSO	MDH RED BELL LID		
15800207.B	CORPO MDH VERN. BIANCO	MDH WHITE BODY		
15800207.NO	CORPO MDH VERN. NERO OPACO	MDH BLACK BODY		
15800207.R	CORPO MDH VERN. ROSSO	RED BODY MDH		
15800208.C	FRONTALINO MDH CROMO	CHROME FRONT COVER MDH		
15800209	BASE MDH	MDH PLATFORM		
15800210	POMELLO REGOLAZIONE TIME	TIME ADJUSTMENT KNOB		
15800211	GUARNIZIONE POTENZA/PULSANTE	POWER PUSH BOTTON		
15800212	SCHEDA EL. 220V MIGNON	ELECTRONIC BOARD 220V MIGNON		
15800213	SCHEDA EL. 110V MIGNON	ELECTRONIC BOARD 110V MIGNON		
15800214	TASSELLO PORTAFILTRO MIGNON	MIGNON FILTER HOLDER		
15800215	GRUPPO SCIVOLO CAFFE' MIGNON	COFFEE GROUP MIGNON		
15800216	PIASTRA BLOCC. FORCELLA MDH	FORK LOCKING PLATE MDH		
15800217	SUPPORTO FRONTALINO MDH	MDH FRONT SUPPORT		
15800218	GUARNIZIONE CAMPANA MIGNON	MIGNON BELL SEAL		
15800219	ANTIVIBRANTE D15xH10xL10 M4	SILENT BLOCK D15xH10xL10 M4		
15800220	MOTORE COMPLETO MDH 220V	MDH MOTOR COMPLETE 220 V		
15800221	MOTORE COMPLETO MDH 110V	MDH MOTOR COMPLETE 110 V		
15800222	PORTAMACINE SUPERIORE ME D.50	SUPERIORS CUP ME D.50		
15800223	VITE INOX M3x6 TCT(-) TESTA	INOX SCREW M3x6		
15800224	CHIOCCIOLA MCF	MCF SNAIL		
15800225	VITE INOX M4x30 TESTA GDS X	INOX SCREW M4x30		
15800226	VITE AQ M3x12 TC T.CR ZINC	SCREW M3x12		