

PRODUCTS / REPARTS
PRODUCTS / SPARE PARTS
PRODUITS / PIÈCES DÉTACHÉES
PRODUKTE / ERSATZTEILE
PRODUCTOS / REPUESTOS

OPTIMA

6

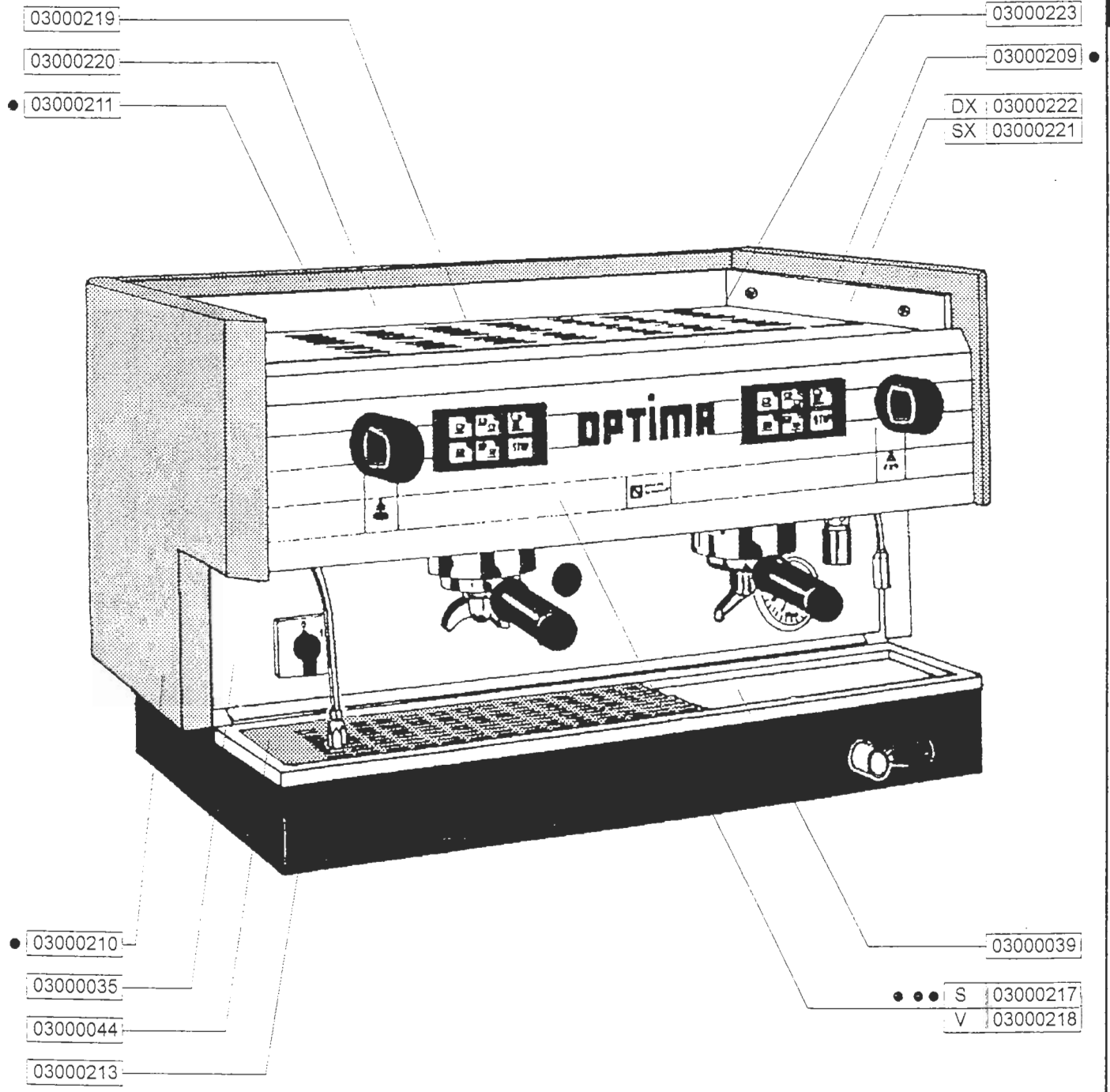


nuova simonelli

CARENA OPTIMA
CABINET OPTIMA

220 Volt 20 Amps

OPTIMA



- SPECIFICARE DOPPIO VAPORE
SPECIFY DOUBLE STEAM
- SPECIFICARE MOD. GAS
SPECIFY MOD. GAS
- SPECIFICARE COLORE
SPECIFY COLOR



GRUPPO EROGATORE COMPLETO COMPLETE POURING UNIT

98004001

07300022

98021000 S

98021001 V

02290016

70004010 GRUPPO COMPLETO
GROUP COMPLETE

(220V) 04100017
(110V) 04100018

02060019

70004011

02060021

02060022

98004000

02280020

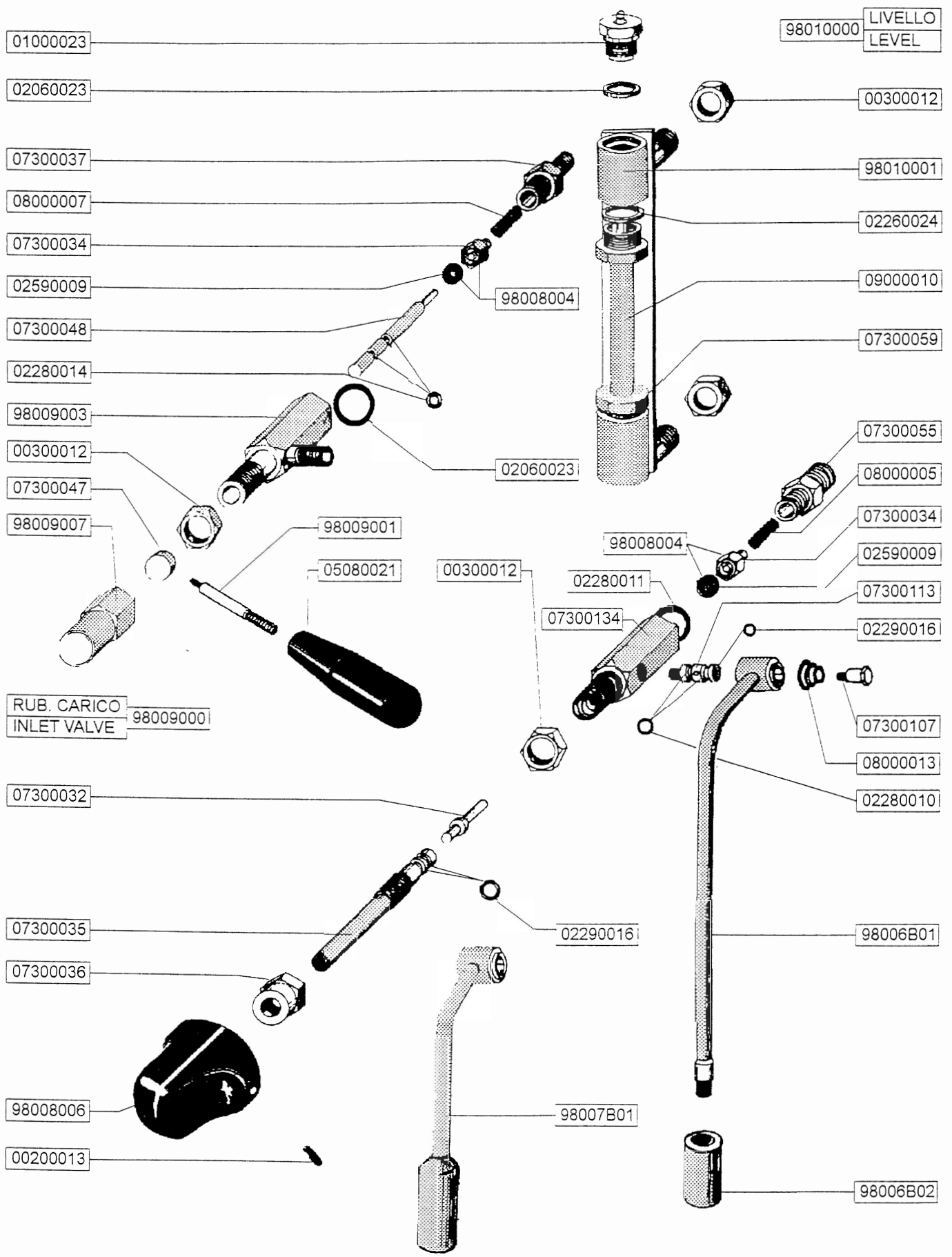
07300124

03000066

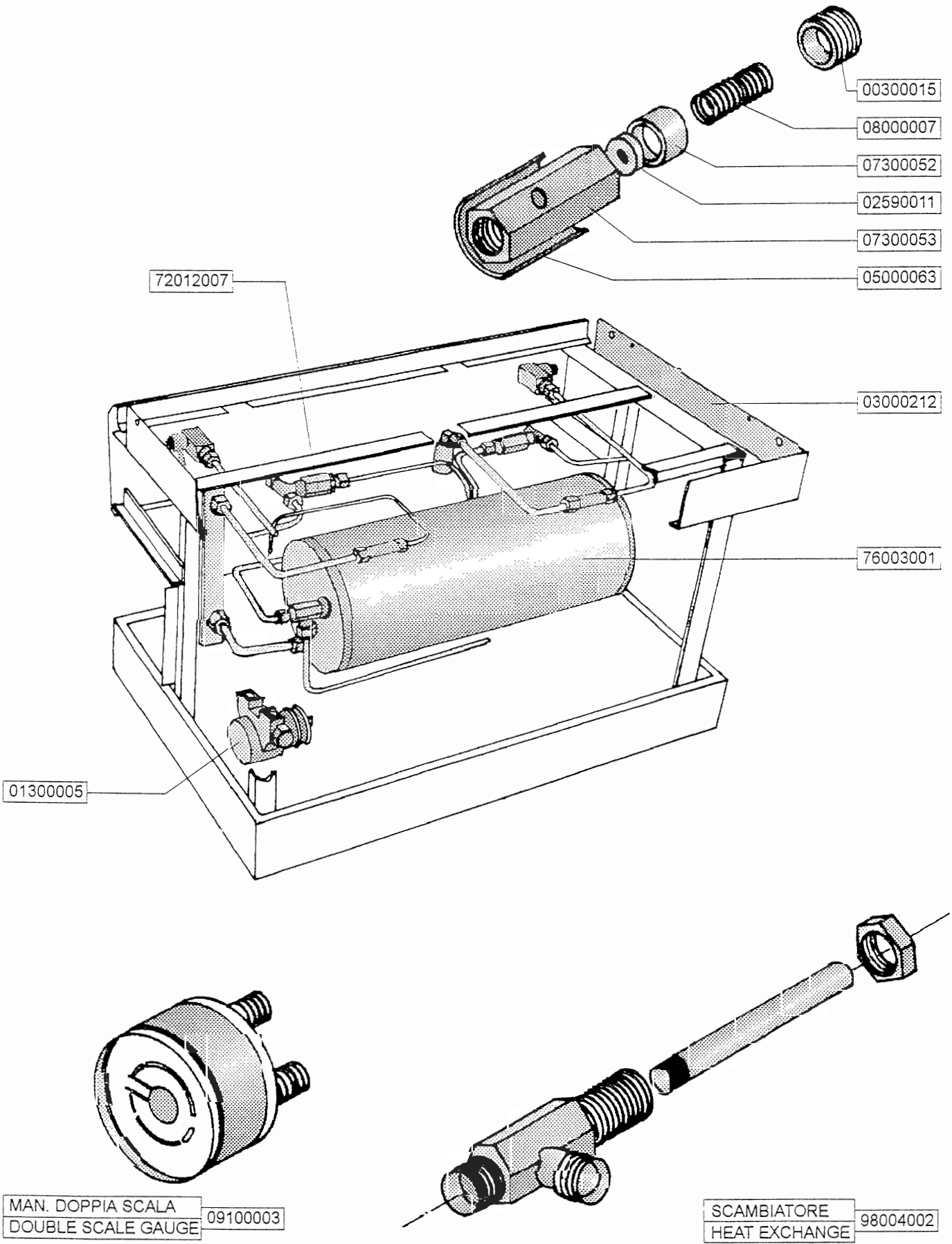
00300021

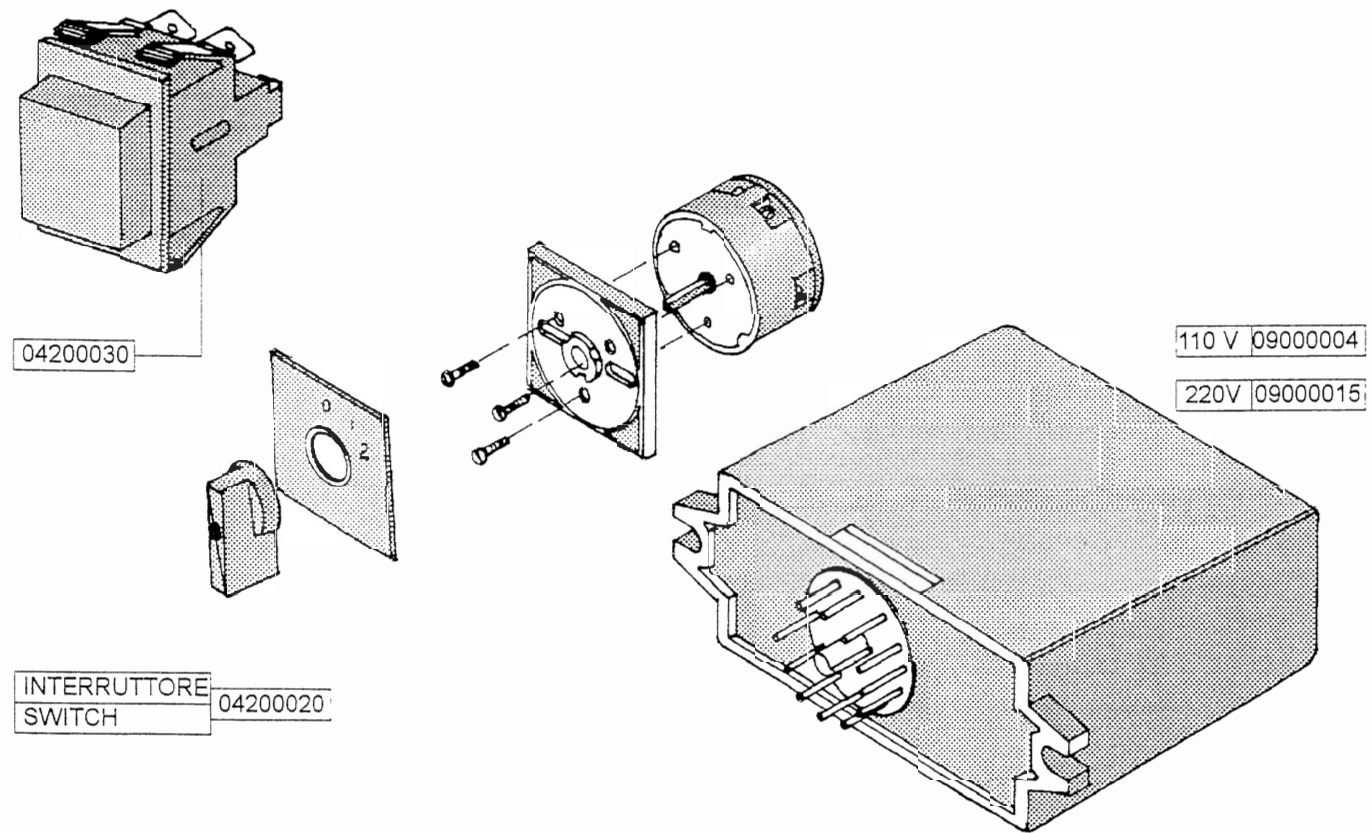
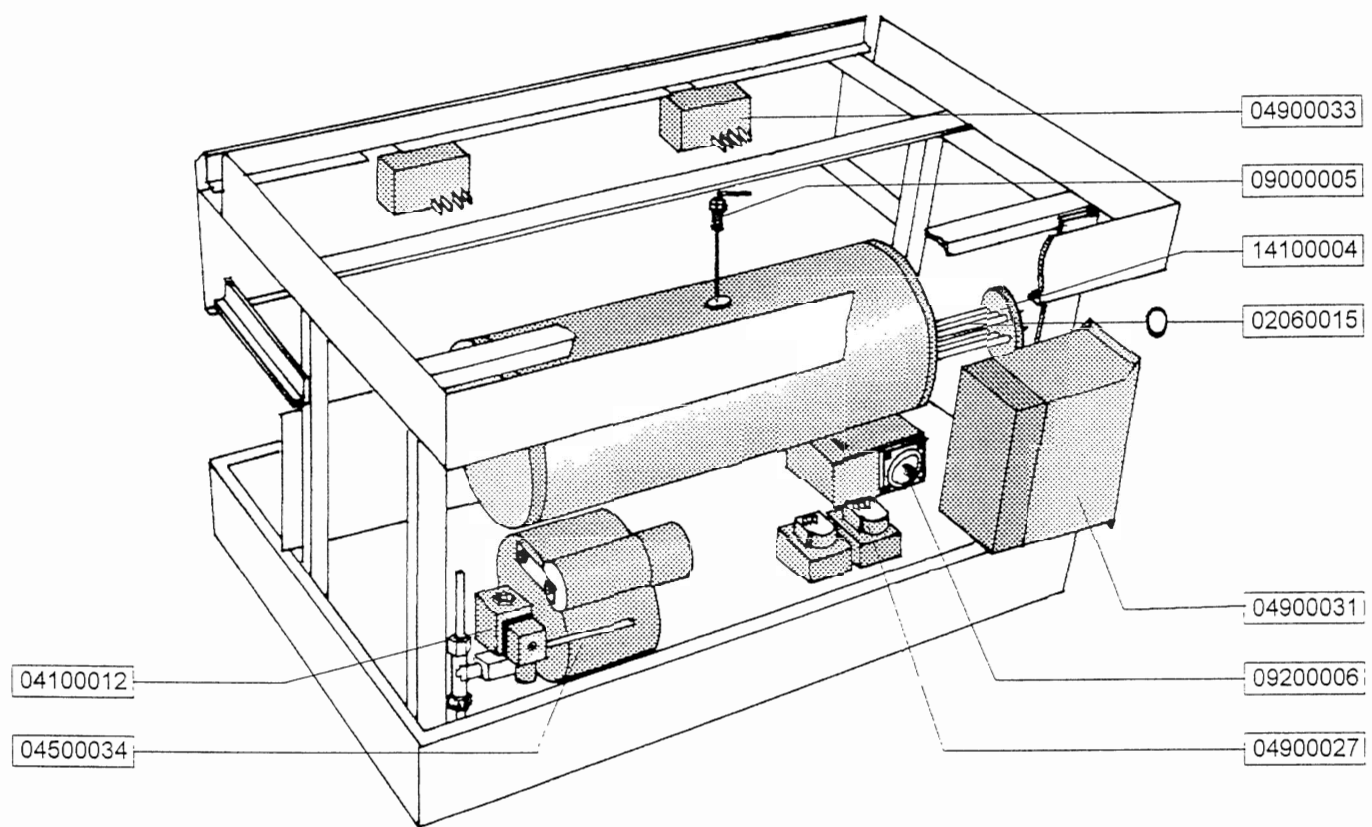
RUBINETTO VAPORE, RUBINETTO ACQUA CALDA, LIVELLO CALDAIA
STEAM VALVE, HOT WATER VALVE, WATER LEVEL

OPTIMA

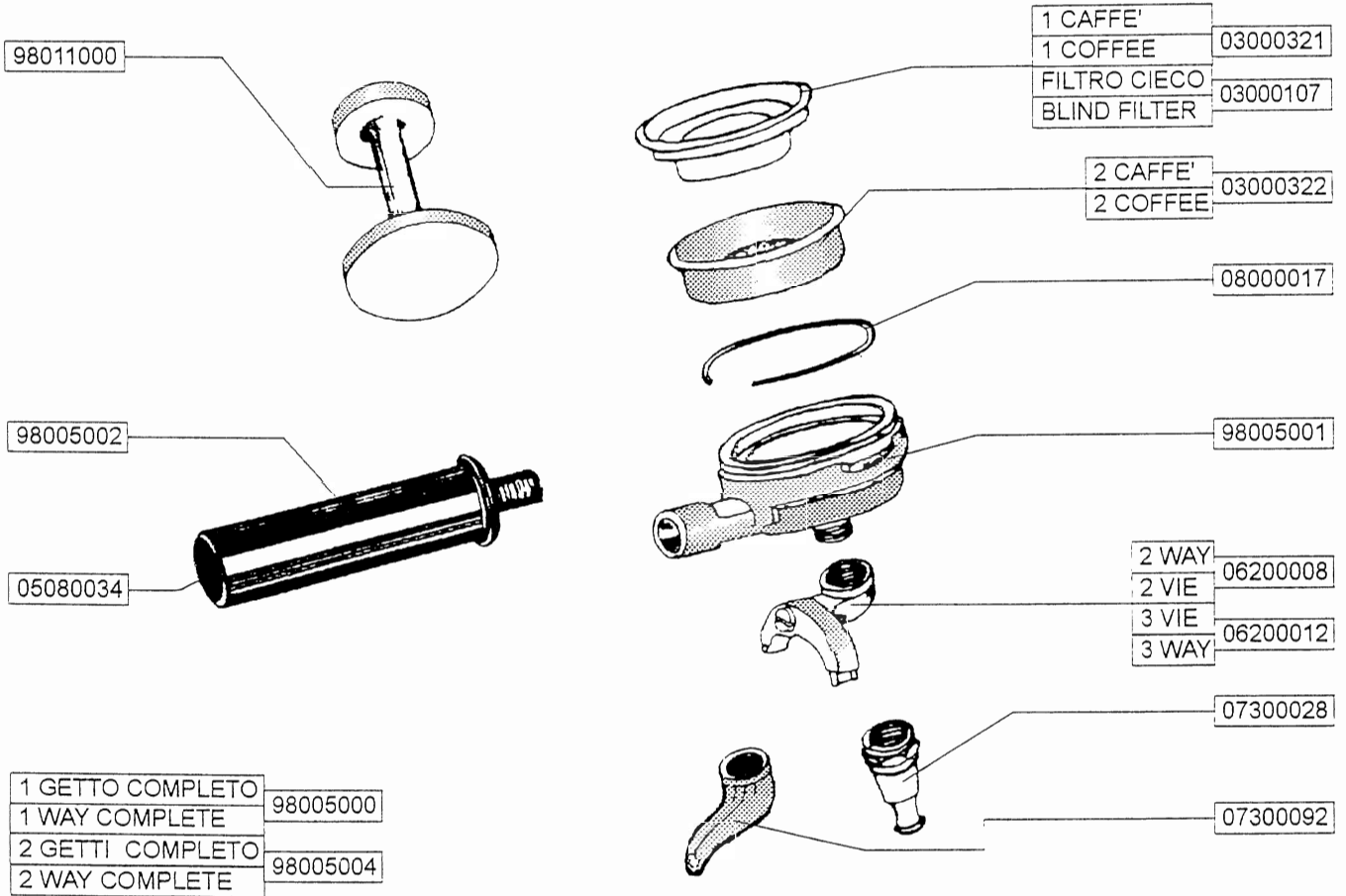


- R. VAPORE
STEAM VALVE 98006000
- R. ACQUA C.
HOT WATER VALVE 98007000





PORTA FILTRO E FILTRO, PRESSINO
 FILTER, GAS BURNER



handli body 98005006
 assem.

00200013	GRANO M6x20	GRAIN M6x20
00300012	DADO OT 3/8 GAS	NUT BRASS 3/8" GAS
00300015	VITE REGISTRO VALV. SICUREZZA	REGULATOR SCREW (SAFETY VALVE)
00300021	VITE INOX M6x16 TS T. C.	INOX SCREW M6x16 TS T.C.
01000023	VALVOLINA SFIATO	PURGE VALVE
01300005	POMPANTE VOLUMETRICO	VOLUMETRIC PUMPE
02060015	GUARNIZIONE RESISTENZA	GASKET HEATING ELEMENT
02060019	GUARN. GRUPPO ER. 90x30	GASKET GROUP EROGATION 90x30
02060021	GUARN. 33x24x1.5	GASKET 33x24x1.5
02060022	GUARN. 72.5x61.5x1.5	GASKET 72.5x61.5x1.5
02060023	GUARN. 22x17x2	GASKET 22x17x2
02260024	GUARN. 17.8x12x10	GASKET 19.8x12x10
02280010	GUARN. OR R7 D12 EP 851	O'RING R7 D12 EP 851
02280011	GUARN. OR R11 D19 EP 851	O'RING R11 D19 EP 851
02280014	GUARN. OR D 7 AN2/OR102	O'RING D7 AN2/OR102
02280020	GUARNIZIONE SOTTOCOPPA 73x58x7	GROUP GASKET 73x58x7
02290016	GUARN. OR D 9.5 R5 SILICONE R.	O'RING R5 D9.5 SILICON
02590009	GUARN. PISTONCINO 12x4.5x4	PISTON GASKET 12x4.5x4
02590011	GUARN. PISTONCINO 14x6x4.5	PISTON GASKET 14x6x4.5
03000035	PARETE INF. 2GR. OPTIMA	INOX SPLASH PLATE
03000039	RACCOGLIACQUA OPTIMA	DRAIN TRAY INOX
03000044	RETINA PIANO LAVORO OPTIMA	PERFORATED WORK GRILL
03000066	DOCCIA INOX 56x5.5x6	SHOWER INOX 56x5.5x6
03000107	FILTRO CIECO	BLIND FILTER
03000209	CARENA DX OPTIMA	RIGHT SIDE PANEL
03000210	CARENA SX OPTIMA	LEFT SIDE PANEL
03000211	CARENA RETRO OPTIMA	BACK SIDE PANEL
03000212	SUPPORTO CARENA OPTIMA	SUPPORT PANEL
03000213	BASAMENTO MACCHINA OPTIMA	BASE
03000217	PARETINA SUP. OPTIMA/S	CONTROL PANEL MOD. OPTIMA S
03000218	PARETINA SUP. OPTIMA/V	CONTROL PANEL MOD. OPTIMA V
03000219	RETINA RAC. CONDENSA OPTIMA	PERFORATED DRAIN GRILL
03000220	PIATTO RAC. CONDENSA OPTIMA	DRAIN TRAY
03000221	MOSTRINA SUP. SX OPTIMA	LEFT INOX FLASHING
03000222	MOSTRINA SUP DX OPTIMA	RIGHT INOX FLASHING
03000223	COPRI GRUPPO SUP. OPTIMA	INOX COVER PLATE TOP
03000321	FILTRO 1 CAFFE' H=21.5	FILTER 1 COFFEE H=21.5
03000322	FILTRO 2 CAFFE' H=21.5	FILTER 2 COFFEE H=21.5
04100012	ELETROV. 2 VIE 220V. 1/4 AL	ELECTROVALVE 2 WAY 220V. 1/4" AL.
04100017	ELETROV. 3 VIE COMPL. 220V./50	ELECTROVALVE 3 WAY 220V. COMPLETE
04100018	ELETROV. 3 VIE COMPL. 110V./60	ELECTROVALVE 3 WAY 110V. COMPLETE
04200020	COMMUTATORE 0 - 1 - 2 16A	SWITCH 0 - 1 - 2 16A
04200030	INTERRUTTORE ON/OFF	SWITCH ON - OFF
04500034	MOTORE ELETTRICO 220V.MON.	MOTOR 220V.
04900027	DOSATORE ELETT. ACQUA FH12	FLOWMETRE
04900031	CENTRAL. ELETTRONICA 2GR. 220V. MON.	MAIN CONTROL 220V.
04900033	PULSANTIERA OPTIMA V	TOUCHPAD MOD. OPTIMA V
05000063	COPRI VALVOLA SICUREZZA	COVER SAFETY VALVE
05080021	MANICO	LEVER
05080034	TAPPO MANOPOLA PORTAFILTRO	CAP FILTER HANDLE
06200008	BECCO 2 VIE	2 WAY SPOUT COMPLETE
06200012	BECCO 3 VIE	3 WAY SPOUT COMPLETE
07300022	GIGLER EROGAZIONE M6x5	EROGATION GIGLER M6x5
07300028	BECCO 1 VIA DIRITTO	STRAIGHT 1 SPOUT SINGLE
07300032	SPINA OT RUB. VAPORE	BRASS PIN
07300034	PISTONCINO 12x4.5x4	PISTON 12x4.5x4

07300035	ASTA COMANDO RUBINETTO	VALVE SCHAFT
07300052	TAPPO 3/8" GAS RUB. VAP	CORK 3/8" GAS
07300036	TAPPO PORTA MOLLA D1.5 ES.24	CONNECTOR SPRING STOP. D1.5 ES.24
07300037	PIEDE LEVA 14x8 M4	DISK
07300047	ASTA COMANDO PISTONCINO 7x44	PISTON SHAFT
07300048	PISTONCINO 14x6x4.5	PISTON 14x6x4.5
07300053	CORPO VALVOLA SICUREZZA	BODY SAFETY VALVE
07300055	TAPPO PORTA MOLLA 3/8" - 1/4"	CONNECT. SPRING STOP. 3/8"-1/4"GAS
07300059	PREMISTOPPA LIVELLO	REDUCTION FITTING WATER LEVEL
07300092	BECCO GETTO 90°	ANGLE SPOUT SINGLE
07300107	PORTA MOLLA TUBO VAPORE	SCREW STOPPER VALVE
07300113	SNODO RUB. VAPORE	SWIVEL SHAFT
07300124	ROMPIGETTO GR. EROGAZIONE	DISPERSION NUT
07300143	CORPO RUB. VAPORE ACQUA	STEAM VALVE BODY
08000005	MOLLA 6 ST 11.5x8.5x25	SPRING 6ST 11.5x8.5x25
08000007	MOLLA 11.5x8.4x32 ST 9.5	SPRING 9.5 ST 11.5x8.4x32
08000013	MOLLA TUBO VAPORE	SPRING CONICAL
08000017	MOLLA FILTRO	SPRING FILTER
09000004	CENTRALINA AUTOLIVELLO 110V.	AUTO WATER FILL CIRCUIT 110V.
09000005	SONDA AUTOLIVELLO COMPLETA	COMPLETE WATER LEVEL SENSOR
09000010	VETRO LIVELLO 133x12x1.5	GLASS WATER LEVEL 133x12x1.5
09000015	CENTRALINA AUTOLIVELLO 220V.	AUTO WATER FILL CIRCUIT 220V.
09100003	MANOMETRO DOPPIA SCALA	DOUBLE SCALE GAUGE
09200006	PRESSOSTATO MACCHINA P302/6	PRESSURESTAT P302/6
14100004	RESISTENZA W. 3000 220/380V.	HEATING ELEMENT W. 3000 220/380V.
70004010	GRUPPO EROGAZIONE COMPLETO	COMPLETE EROGATION GROUP
70004011	CORPO GRUPPO EROGAZ. CROMATO	BODY GROUP
72012007	VALVOLA NEPLAX COMPLETA	EXPANSION VALVE COMPLETE
76003001	CALDAIA LT. 5 OPTIMA	BOILER LT.5
98004000	PADIGLIONE	GROND HEAD CAP
98004001	FILTRO INOX	INOX FILTER
98004002	SCAMBIATORE CALORE	HEAT EXCHANGE
98005000	PORTAFILTRO COMPLETO 1 VIA	COMPLETE FILTER 1 SPOUT
98005001	CORPO PORTA FILTRO	FILTER BODY
98005002	MANOPOLA PORTAFILTRO COMPLETA	FILTER HANDLE - COMPLETE
98005004	PORTAFILTRO 2 VIE COMPLETO	COMPLETE FILTER 2 SPOUT
98006000	RUBINETTO VAPORE COMPLETO	COMPLETE STEAM VALVE
98006B01	TUBO VAPORE COMPLETO	COMPLETE STEAM PIPE
98006B02	GETTO VAPORE 4 FORI CROM.	STEAM NOZZLE 4 HOLE COMPLETE
98007000	RUBINETTO ACQUA CALDA COMPLETO	COMPLETE HOT WATER VALVE
98007B01	TUBO ACQUA CALDA COMPLETO	COMPLETE HOT WATER PIPE
98008004	PISTONCINO CHIUSURA COMPLETO	PISTON
98008006	MANOPOLA VAPORE	STEAM LEVER
98009000	RUBINETTO DI CARICO ASSEMBLATO	COMPLETE INLET VALVE
98009001	ASTA MANOPOLA	HANDLE SHAFT
98009003	CORPO RUBINETTO CARICO	BODY INLET VALVE
98009007	TAPPO CHIUSURA CROM. RUB. ENT.	CORK
98010000	LIVELLO COMPLETO ISX/OPTIMA	COMPLETE WATER LEVEL
98010001	CORPO LIVELLO ISX CROMATO	BODY WATER LEVEL
98011000	PRESSINO CAFFE' ALLUMINIO	COFFEE PRESS ALUMINIUM
98021000	BLOCCO PORTA ELETTR. OPTIMA S	BLOCK 3 WAY ELECTROVALVE OPTIMA S
98021001	BLOCCO PORTA ELETTR. OPTIMA V	BLOCK 3 WAY ELECTROVALVE OPTIMA V